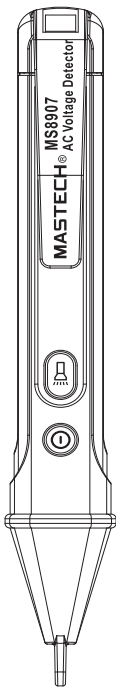


ELECTRICAL TESTERS AC VOLTAGE DETECTOR



MASTECH®

Safety symbols

| Symbol | Definition |
|--------|---|
| | Indicates important safety information. |
| | This product is insulated at double insulation (Protection Class II). |
| | Conforms to UL STD 61010-1, certified to CSA STD C22.2NO.61010-1 |
| | The meter complies with EU standard |

Precauciones

WARNING:

BE EXTREMELY CAREFUL IN THE USE OF THIS DEVICE. Improper use of this device can result in injury or death. Follow all safeguards suggested in this manual in addition to the normal safety precautions used in working with electrical circuits. Do not service this device if you are not qualified to do so.

CAUTION:

Read, understand, and follow the safety rules and operating instructions of this manual before you use the product. Protection provided by the instrument will be impaired if used in a manner not specified by the manufacturer. Before measuring hazardous voltages, first measure a voltage which is known to determine if the equipment operates correctly.

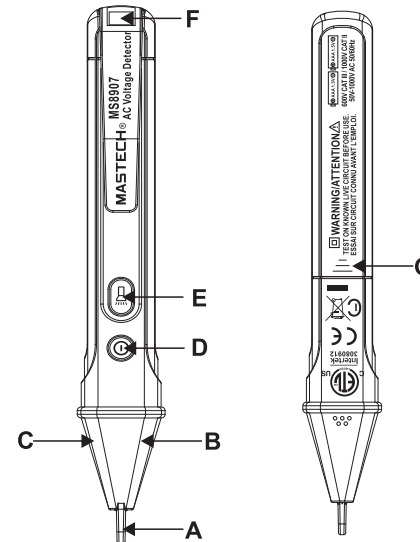
Self test tips: Before using this product, press the power button to perform a self test. If the detector is working properly, the LED light will flash. If the LED does not flash, the detector is not working properly.

MASTECH®

Warranty: 12 Months

For one year from the date of purchase, this product is warranted against any defects in material or workmanship. Contact the customer service team.

Package contents



| | | | |
|----------|------------------|----------|-----------------|
| A | Probe | B | Green LED light |
| C | Red LED light | D | Power button |
| E | Spotlight button | F | Pocket clip |
| G | Battery cover | | |

Product specifications

| Component | Specification |
|-----------------------|---|
| AC Voltage range | 50V-1000V AC, 50/60Hz |
| Safety standards | Designed to international safety standard IEC61010-1/600V CAT III, 1000V CAT II |
| Battery | 2 x 1.5V (AAA Type) |
| Altitude | < 2000 m |
| Operating temperature | -10 to 50°C |
| Storage temperature | -20 to 60°C |
| Humidity | < 85% relative humidity |
| Dimensions | 157 x 24 x 20 mm |
| Weight | Approximately 42g |

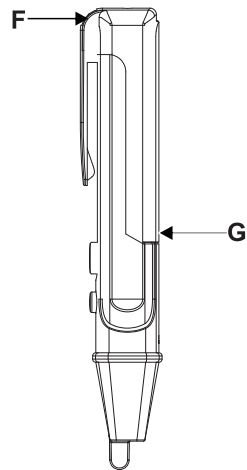
Installing the battery

⚠ WARNING:

The measurement must be done only with the cap on the probe tip.

NOTE: If your detector does not work properly, check the batteries to make sure they are still good and are properly inserted

1. Open the battery cover (G) by simultaneously pressing the top of the pocket slip (F) and pushing the battery cover (G) out.
2. Insert two AAA batteries (Ensure the correct polarity).
3. Replace the battery cover (G).



Operation

Checking the AC electrical voltage in a socket

⚠ WARNING:

RISK OF ELECTROCUTION:

1. High-voltage circuits, both AC and DC, are very dangerous and should be measured with great care.
2. Before using to check for voltage in a socket, always test the detector on a known live circuit to verify that the detector is working properly.
3. Keep hands and fingers on the body of the detector and away from the probe tip.

1. Press the Power Button (D) to turn the detector on, meanwhile the green LED light is on.
2. Touch the probe tip (A) to a cord plugged into the socket, or insert the probe (A) directly into a socket.
3. If AC electrical voltage is present, the red LED light (C) on the detector flashes and the detector makes a beeping sound. Meanwhile, the green LED light is off.
4. When testing in the dark, press the spotlight button (E) to light the test environment, which is more safe for the user.

